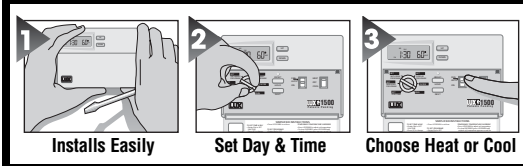


INSTALLATION AND OPERATING INSTRUCTIONS

LUXPRO PSP711RF SERIES

SMART TEMP® ELECTRONIC THERMOSTAT



Easy
as
1-2-3

LUX PRODUCTS CORPORATION
Mt. Laurel, New Jersey 08054 USA

52004

WARNING: Use Energizer® or DURACELL® Alkaline Batteries Only.

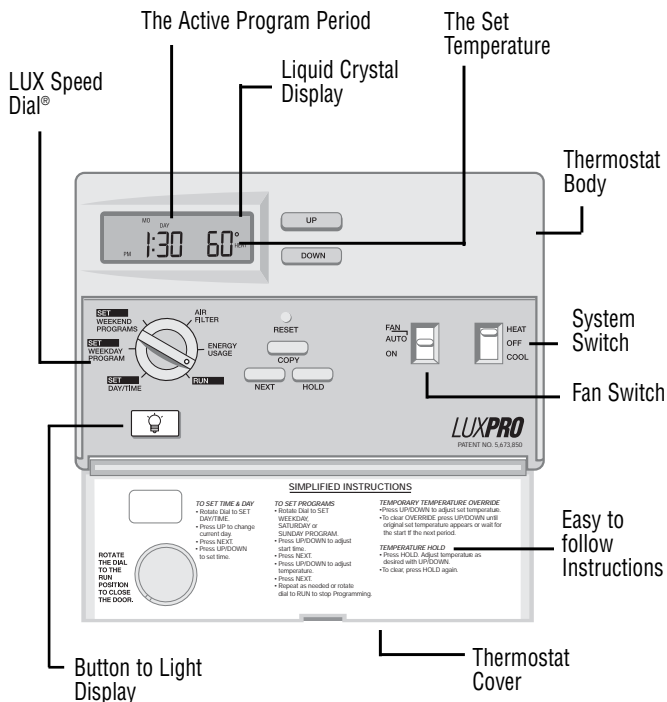
Energizer® is a registered trademark of Eveready Battery Company, Inc.
DURACELL® is a registered trademark of The Gillette Company, Inc.

IMPORTANT!

READ INSTALLATION INSTRUCTIONS FIRST

Thank you for your confidence in our product. To obtain the best results from your investment, please read these instructions and acquaint yourself with your purchase before installing your new thermostat. Then follow the installation procedures, one step at a time. This will save you time and minimize the chance of damaging the thermostat and the systems it controls. These instructions may contain information beyond that required for your particular installation. Please save for future reference.

FEATURES



- The Unit can be used with most 24 volt gas, oil or electric heating and air conditioning systems, single-stage heat pumps or gas millivolt heating systems. It cannot be used with 120 volt heating systems or multistage heat pumps. Ask your dealer for other LUX thermostats to control those systems.
- The Unit is programmable. There are four programming periods per day. Each period can be programmed separately.
- You can use the built-in time/temperature programs, or alter them to suit your schedule. The Unit provides separate programming for every day of the week- for both heating and cooling. You can override the programmed temperatures for as little as one programming period or for an entire vacation.
- In cool weather, when the system switch is set to HEAT, the Unit will maintain cooler "set back" room temperatures to save energy. It will then change to warmer "comfort" settings — all automatically, at specified times during the day.
- In warm weather, when the system switch is set to COOL, the Unit will maintain warmer "set back" room temperatures to save energy. It will then change to cooler "comfort" settings - all automatically, at specified times during the day.
- A large liquid crystal display shows time, day of the week, and room and set temperatures. It will remind you when the filter should be changed in your blower and track your system's energy usage.
- Temperature swing adjustment lets you fine-tune your system for maximum comfort and economy.
- A 4-minute minimum on/off time in COOL prevents your air conditioning system from being damaged.
- Two Energizer® or DURACELL® "AA" alkaline batteries (not included) are used to retain your time and temperature programs.

C A U T I O N

- Your thermostat is a precision instrument. Please handle it with care.
- Turn off electricity to the appliance before installing or servicing thermostat or any part of the system. Do not turn electricity back on until work is completed.
- Do not short (jumper) across electric terminals at control on furnace or air conditioner to test the system. This will damage the thermostat and void your warranty.
- All wiring must conform to local codes and ordinances.
- This thermostat is designed for use with 24 volt and millivolt systems. The thermostat should be limited to a maximum of 1.0 amps; higher amperage may cause damage to the thermostat. If you are in doubt, call your utility company.

INSTALLATION

Please read all instructions carefully before beginning installation.

TOOLS REQUIRED

#1 Phillips screwdriver (small)

Drill with 3/16-in. (4.8mm) bit

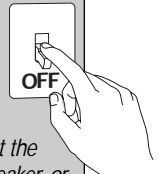
THERMOSTAT LOCATION

On replacement installations, mount the new thermostat in place of the old one unless the conditions listed below suggest otherwise. On new installations, follow the guidelines listed below.

1. Locate the thermostat on an inside wall, about 5 ft. (1.5m) above the floor, and in a room that is used often.
2. Do not install it where there are unusual heating conditions, such as: in direct sunlight; near a lamp, radio, television, radiator, register, or fireplace; near hot water pipes in a wall; near a stove on the other side of a wall.
3. Do not locate in unusual cooling conditions, such as: on a wall separating an unheated room; or in a draft from a stairwell, door, or window.
4. Do not locate in a damp area. This can lead to corrosion that will shorten thermostat life.
5. Do not locate where air circulation is poor, such as: in a corner or an alcove; or behind an open door.
6. Do not install the unit until all construction work and painting has been completed.
7. This thermostat does not require leveling.

C A U T I O N

To avoid electrical shock and to prevent damage to the furnace, air conditioner, and thermostat, disconnect the power supply before beginning work. This can be done at the fuse box, at the circuit breaker, or at the appliance.



REMOVING THE OLD THERMOSTAT

Switch electricity to the furnace and air conditioner OFF; then proceed with the following steps.

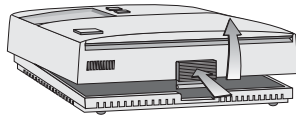
1. Remove cover from old thermostat. Most are snap-on types and simply pull off. Some have locking screws on the side. These must be loosened.
2. Note the letters printed near the terminals. Attach labels (enclosed) to each wire for identification. Remove and label wires one at a time. Make sure the wires do not fall back inside the wall.
3. Loosen all screws on the old thermostat and remove it from the wall.

CAUTION

Read instructions carefully before removing any wiring from existing thermostat. Wires must be labeled before they are removed. When removing wires from their terminals, ignore the color of the wires since these may not comply with the standard.

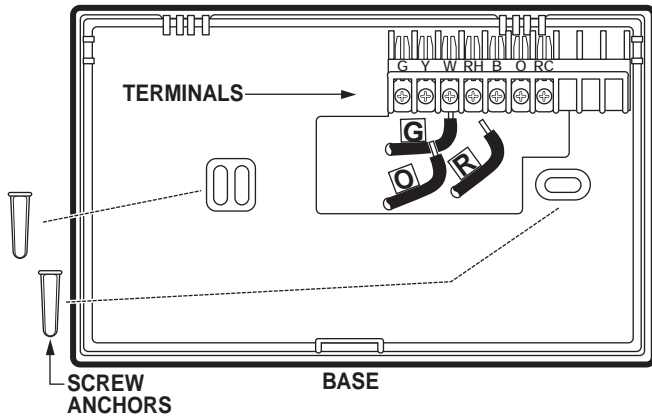
MOUNTING THE UNIT ON THE WALL

1. Strip insulation 3/8 in. (9.5mm) from wire ends and clean off any corrosion.
2. Fill wall opening with non-combustible insulation to prevent drafts from affecting the thermostat.
3. Press up on the button on bottom of thermostat and swing the body away from the base and up to remove the body from the base.



CAUTION

Be careful not to drop the body or disturb electronic parts. Leave the cover closed while the body is being removed from the base.

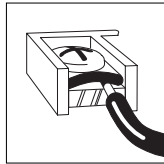


NOTE

If you are mounting the base to a soft material like plasterboard or if you are using the old mounting holes, the screws may not hold. Drill a 3/16-in. (4.8mm) hole at each screw location, and insert the plastic anchors provided. Then mount the base as described below.

Attaching Wires

4. Hold the base against the wall, with the wires coming through wherever it is convenient for wiring. Route the wires to below the terminal block. Position the base for best appearance (to hide any marks from an old thermostat). An optional wall plate is included for covering old mounting holes. Attach the base to the wall with the two screws provided.

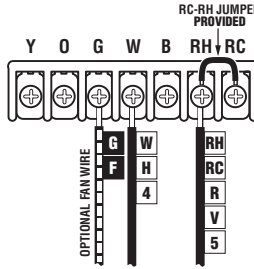


CAUTION

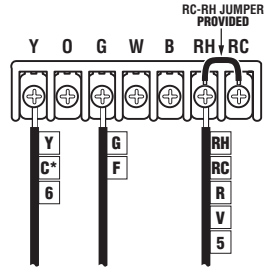
Do not allow wires to touch each other or parts on thermostat. Wires must be trapped between black spacer and brass terminal. Also, be sure to tighten securely all 7 electrical terminal screws.

WIRING DIAGRAMS

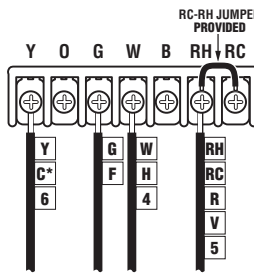
HEATING ONLY SYSTEMS



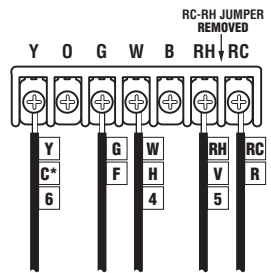
COOLING ONLY SYSTEMS



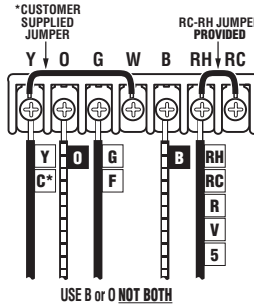
HEATING / COOLING SYSTEMS 4-WIRES WITH ONE TRANSFORMER



HEATING / COOLING SYSTEMS 5-WIRES WITH TWO TRANSFORMERS



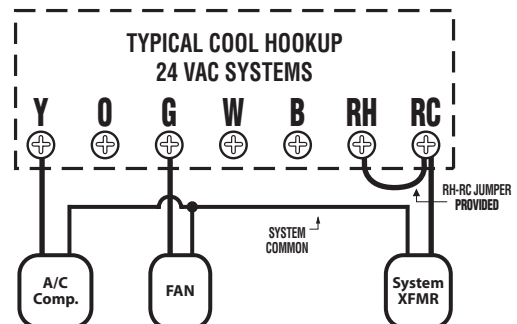
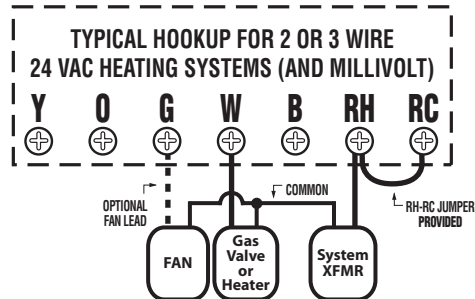
TYPICAL SINGLE STAGE HEAT PUMP WIRING

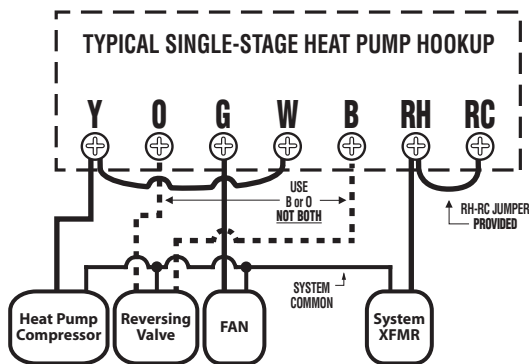
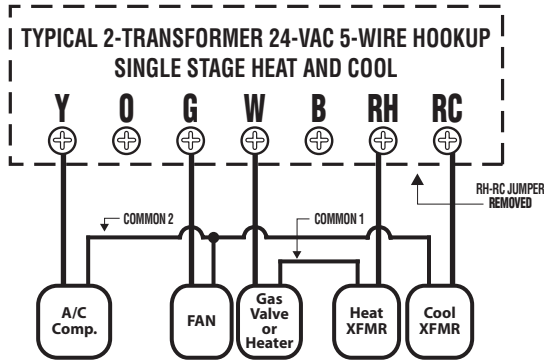
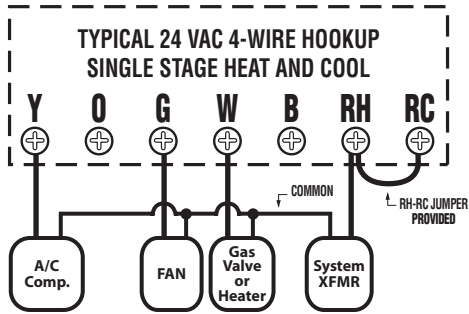


WIRING DIAGRAM NOTES (APPLIES TO ALL DRAWINGS)

- The DASHED lines are optional depending upon your system type.
- Verify whether "C", "X" or "B" wires are connected to system common.
- If "B" and "O" are both present, it is likely that "B" is a system common.
- If a "B" wire in your system is a common, then connecting it to the "B" terminal may cause damage to your system.
- If "Y" and "C" are both present, it is likely that "C" is a system common.

These diagrams below are provided for new installations or unreferenced wires.





NOTE

If you have an electric system and the blower does not operate after installation, find the electric/gas heat selector on the back of the body. Move the selector to the ELEC position.

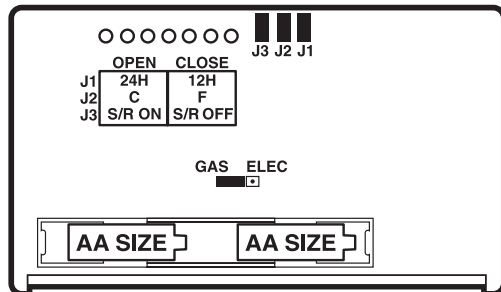
INSTALLING BATTERIES

The Unit requires batteries to operate your furnace and retain its programming in memory. Replace the batteries when the REPLACE indicator appears in the display or at least once a year.



REPLACE BATTERIES WHEN INDICATOR APPEARS

WARNING: Use Energizer® or DURACELL® Alkaline Batteries Only.



NOTE

When replacing batteries, you have approximately 1 minute before programs are lost.

1. Remove fresh batteries from their carton.
2. Remove body of thermostat as described at bottom of first column.
3. Remove the battery clip and batteries.
4. Install two new Energizer® or DURACELL® "AA" size alkaline batteries in the battery compartment. Observe the polarity marking shown in the clip.
5. Place body back on the wall. Hook the bottom of the body onto the base, swing the body up, and snap the body onto the base.

Installation is now complete. Be sure to turn the power back on to your heating and /or air conditioning system. If this is the first time you are installing batteries, the thermostat will display "SUN 12:00 AM". Within 90 seconds the thermostat will begin to display the room temperature alternately with the time. To correct the display, see "Setting the TIME and DAY," after you set the programs.

CAUTION

The Unit is protected against normal static electric discharges. However, in extremely dry weather you should touch another metal object before the Unit to avoid potential loss of programs.

OPERATION

This thermostat is "armchair programmable" You can make any program or setting changes with the thermostat body off or on the wall thermostat base.

The Unit alternately displays the current time and the room temperature. It also displays the day of the week and the currently active program period that is controlling the temperature: MORN, DAY, EVE, or Night. The set point temperature will appear in the right side of the display. In the winter, set the system switch to HEAT to control your heating system. In the summer, set the switch to COOL to control your air conditioner. In spring and fall or when windows are open, you can set the system switch OFF. Setting the FAN switch to AUTO automatically runs your system's fan during heating and cooling. Setting the FAN switch to ON runs your system's fan continuously even without heating or cooling.

NOTE

The FAN switch works only if your system provides a wire for the Unit's "G" terminal.

THE BUILT IN ENERGY STAR® PROGRAMS

	PERIOD	HEAT	COOL
MON-SUN preprograms	MORN	6:00 AM 70°	6:00 AM 78°
	DAY	8:00 AM 62°	8:00 AM 85°
	EVE	6:00 PM 70°	6:00 PM 78°
	NIGHT	10:00 PM 62°	10:00 PM 82°

Push in the RESET key. This sets the built-in heating and cooling programs. To review the built-in programs, press NEXT or PREVIOUS repeatedly; when you are done, press RETURN.

You can use the built-in programs as shown, or change them as you wish. Each day is divided into four periods. Each period has its own starting time and temperature.

PROGRAMMING THE UNIT

You can change any preset times and/or temperatures to suit your schedules for the weekday, Saturday and Sunday programs. Each period (Morning, Day, Evening, and Night) is programmed for HEAT and for COOL.

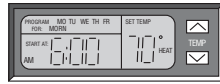


Select HEAT to program the unit for controlling your heater.

OR

Select COOL to program the unit for controlling your air conditioner.

Rotate dial to SET WEEKDAY PROGRAM. To program SATURDAY or SUNDAY, rotate the dial to SET SATURDAY or SET WEEKEND PROGRAM. With dial on SET WEEKDAY PROGRAM, you will see this display.



- UP** **DOWN** To change the start time for MORN.
- UP** **DOWN** To change the start time for EVE.
- NEXT** To program temperature.
- NEXT** To program temperature.
- UP** **DOWN** To change the temp. setting for MORN.
- UP** **DOWN** To change the temp. setting for EVE.
- NEXT** To move to DAY.
- NEXT** To move to NIGHT.
- UP** **DOWN** To change start time for DAY.
- UP** **DOWN** To change the start time for NIGHT.
- NEXT** To program temperature.
- NEXT** To program temperature.
- UP** **DOWN** To change the temp. setting for DAY.
- UP** **DOWN** To change the temp. setting for NIGHT.
- NEXT** To move to EVE.

The COPY button can be used to duplicate the programs from any previous day.

Rotate dial to RUN position to start the programs or SET WEEKEND PROGRAM to continue programming.

C A U T I O N

The unit is protected against normal static electric discharges. However, in extremely dry weather you should touch another metal object before the unit to avoid potential loss of programs.

SETTING THE TIME OF DAY

Open the drop down door on the front of the thermostat. Rotate the dial to the SET DAY/TIME position. You should see the display pictured above with a day of the week flashing. When you are finished setting the day and time, rotate the dial to RUN to return to normal operation or to another position to continue programming.

- UP** To change current day.
- UP** To change the current time.
- NEXT** To set current time. The (e.g. "12:00") will be flashing.
- DOWN**

TEMPERATURE OVERRIDE AND TEMPERATURE HOLD

These features let you change the current Set Temperature without changing the programs stored in your thermostat's memory.

TEMPORARY TEMPERATURE OVERRIDE

- UP** Press UP/DOWN to change the current temperature setting. The OVERRIDE indicator appears on display. The Override feature will be automatically canceled at the start of the next program period. To cancel OVERRIDE prior to next program period press UP/DOWN until original set temperature appears. OVERRIDE indicator will disappear from display.
- DOWN**

VACATION TEMPERATURE HOLD

- HOLD** Press HOLD. Adjust temperature as desired with UP/DOWN. Temperature setting will not change even after next program period begins. To clear, press HOLD again.

ADVANCED FEATURES

ENERGY USAGE MONITOR

A timer in the unit records your systems's ON time for the current day, the previous day, and cumulatively to let you see the effects of your temperature settings and weather conditions.



- Select HEAT to monitor heating energy usage or COOL to monitor cooling usage.
- Rotate the dial to SET ENERGY/USAGE

The current day's ENERGY usage is displayed.

- NEXT** To display yesterday's energy use.
- UP** To reset the display to zero.
- NEXT** To display total ENERGY usage since the Monitor was last set to zero.
- UP** To undo the previous reset to zero.

Rotate the dial back to the RUN position.

FILTER USAGE MONITOR

The FILTER Monitor counts the hours since the filter in your blower was last changed. After 250 hours of use, FILTER will appear in the display. After you change the filter, set the thermostat's FILTER Monitor back to zero as follows.

Rotate the dial to FILTER

- UP** **DOWN** To reset the counter

To change the FILTER Usage Monitor limit

- NEXT** Hold for two seconds
- UP** **DOWN** To change the limit from 0-500 hours

To disable the FILTER Usage Monitor set the limit to 0 hours

TEMPERATURE SWING

A thermostat works by turning your heating or cooling system on and off whenever the room temperature varies a certain number of degrees from the set-point temperature. This variation is the "swing." Your system should cycle on about 3 to 6 times per hour. A smaller swing number increases the number of cycles, so room temperature is more constant. A larger swing number decreases the number of cycles, to save energy in most cases.

SWING SETTINGS

Dial must be in the ENERGY USAGE position

- HOLD** **NEXT** Press together
- NEXT** Press to set.
- UP** **DOWN** To change the temp. swing between 1-9 (4 = approx. ±1°F)

TEMPERATURE CALIBRATION

Rotate the dial to SET DAY/TIME

- HOLD** **NEXT** Press together
- UP** **DOWN** To adjust the thermostat

PROGRAM LOCK

To prevent tampering with set programs.

N O T E

You must press "RESET" after enabling the features below. This will require you to reprogram your thermostat. Please copy your programs into the blank chart provided to assist reprogramming. Please reference the figure under "INSTALLING BATTERIES" which shows the JUMPER LOCATIONS

CHANGING FROM °F TO °C AND A 12HR CLOCK TO A 24HR CLOCK

WARNING: Making these changes will require you to reset the thermostat. Write down any of your customized programs on paper. This will be your reference to reenter the programs afterwards.

- To change to Celsius - remove jumper - J2.
- To change to a 24HR clock - remove jumper - J1.
- Press the reset key on the front of the thermostat for changes to take effect.
- Reprogram as necessary.

SMART RECOVERY

Your thermostat has the capability to turn the HEAT and AIR CONDITIONING ON in your home so that it reaches your desired comfort temperature at the time you have programmed. For instance, if you have programmed your thermostat for 70° at 5:00pm, normally the thermostat will begin to heat your home at 5:00pm. With SMART RECOVERY on, the thermostat will calculate the best time to turn the heat on so that the temperature in your home reaches 70° by 5:00pm. It calculates the amount of time through experience and will get more accurate as time goes by. To enable SMART RECOVERY, remove J3 on the back of the thermostat. Press the small reset button on the front of the thermostat. IN RECOVERY will appear in the display when this feature is bringing your home to temperature.

TECHNICAL SERVICE

If you have any problems installing or using this thermostat, please reread the instructions carefully. Technical Service is available through our Technical Service Number. If you require assistance, please call our offices between 8:00 a.m. and 4:30 p.m. Eastern Standard Time, Monday through Friday. The number is (856) 234-8803 or visit our online technical support at:

www.luxproproducts.com.

WARRANTY

Limited Warranty: If this unit fails because of defects in materials or workmanship within three years of date of original purchase, LUX Products Corporation will, at its option, repair or replace it. This warranty does not cover damage by accident, misuse, or failure to follow installation instructions. Implied warranties are limited in duration to three years from date of original purchase. Some states do not allow limitations on how long an implied warranty lasts, so the above limitation may not apply to you. Please return malfunctioning or defective units to the participating retailer from which purchase was made, along with proof of purchase. Please refer to "TECHNICAL ASSISTANCE" before returning thermostat. Purchaser assumes all risks and liability for incidental and consequential damage resulting from installation and use of this unit. Some states do not allow the exclusion of incidental or consequential damages, so the above exclusion may not apply to you. This warranty gives you specific legal rights and you may also have other rights which vary from state to state. Applicable in the U.S.A. only.